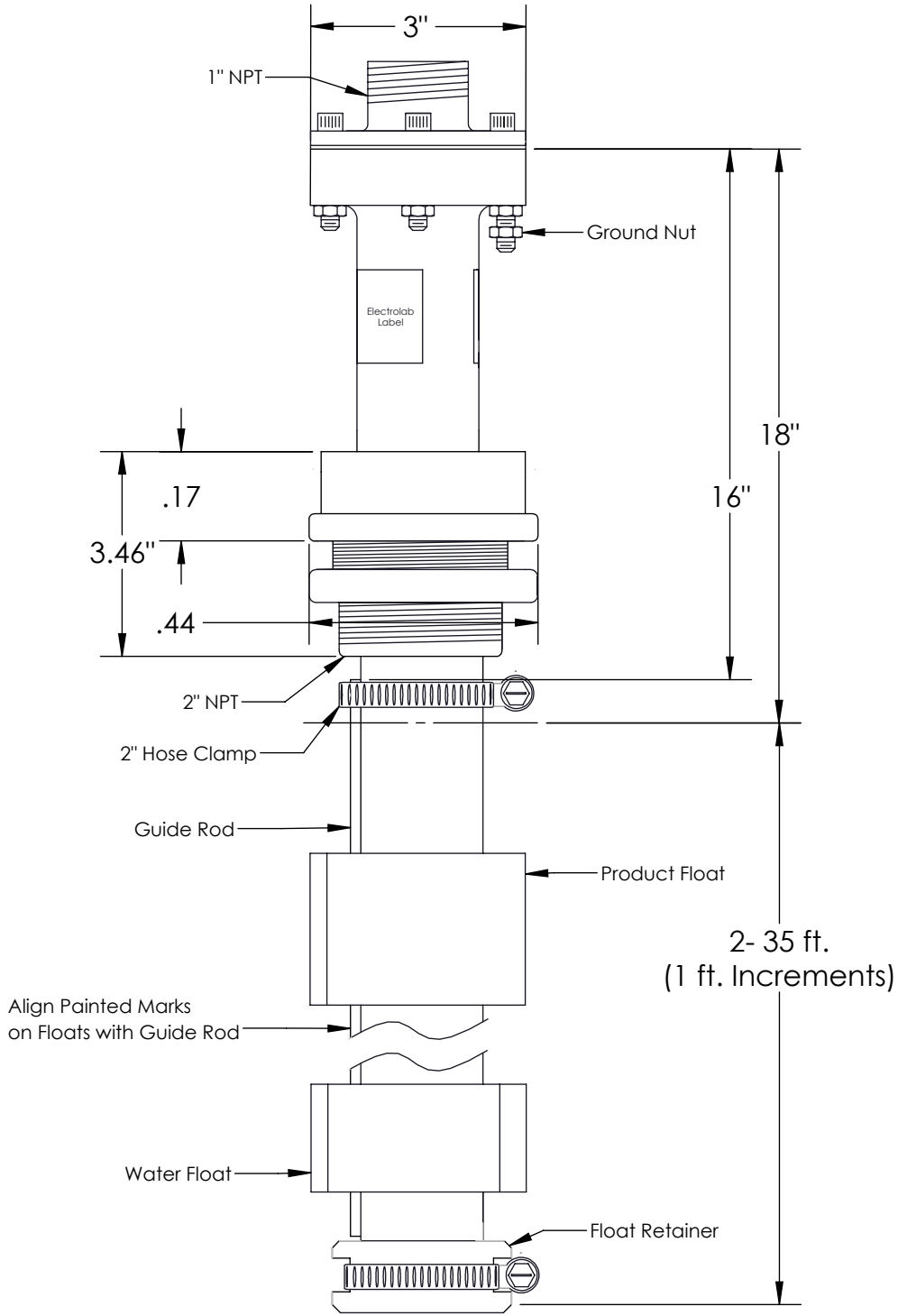


2

1

B


B



A

A

PROPRIETARY AND CONFIDENTIAL
 THE INFORMATION CONTAINED IN THIS DRAWING IS THE SOLE PROPERTY OF <COMPANY NAME>. ANY REPRODUCTION IN PART OR AS A WHOLE WITHOUT THE WRITTEN PERMISSION OF <COMPANY NAME> IS PROHIBITED.


electrolab[®]
 DLS 2100 - Fiberglass Complete Sensor Assembly

| | | |
|------------------|----------------------|------------------|
| SIZE A | DWG. NO. EL 33001 | REV. A |
| SCALE:1:1 | WEIGHT: | SHEET 1 OF 1 |

2

1