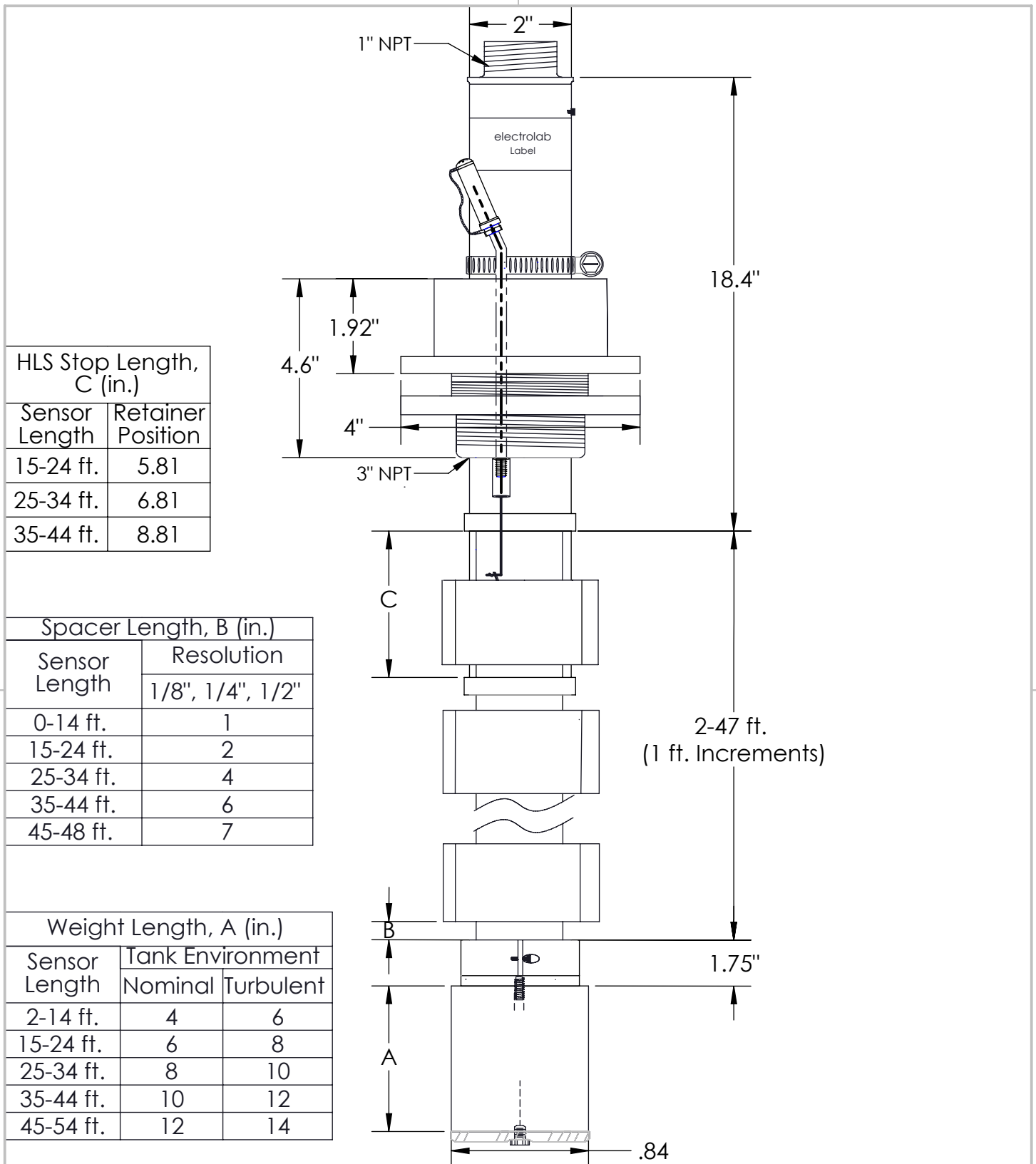


2

1



HLS Stop Length,
C (in.)

Sensor Length	Retainer Position
15-24 ft.	5.81
25-34 ft.	6.81
35-44 ft.	8.81

Spacer Length, B (in.)

Sensor Length	Resolution
	1/8", 1/4", 1/2"
0-14 ft.	1
15-24 ft.	2
25-34 ft.	4
35-44 ft.	6
45-48 ft.	7

Weight Length, A (in.)

Sensor Length	Tank Environment	
	Nominal	Turbulent
2-14 ft.	4	6
15-24 ft.	6	8
25-34 ft.	8	10
35-44 ft.	10	12
45-54 ft.	12	14

PROPRIETARY AND CONFIDENTIAL
THE INFORMATION CONTAINED IN THIS DRAWING IS THE SOLE PROPERTY OF <COMPANY NAME>. ANY REPRODUCTION IN PART OR AS A WHOLE WITHOUT THE WRITTEN PERMISSION OF <COMPANY NAME> IS PROHIBITED.


electrolab[®]
 UFX 2100 - HLS, Complete Sensor Assembly

SIZE A	DWG. NO. EL 33006	REV. A
SCALE: 1:1	WEIGHT:	SHEET 1 OF 1

2

1